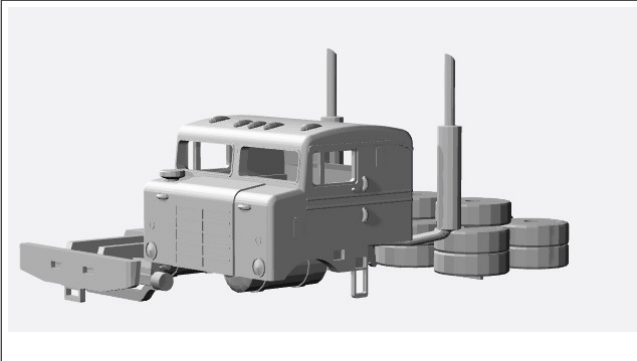
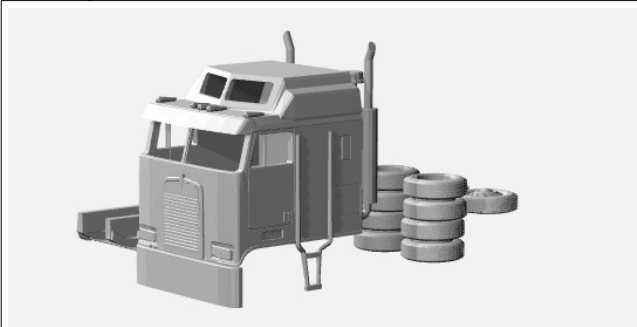


Kenworth HO-Scale Models

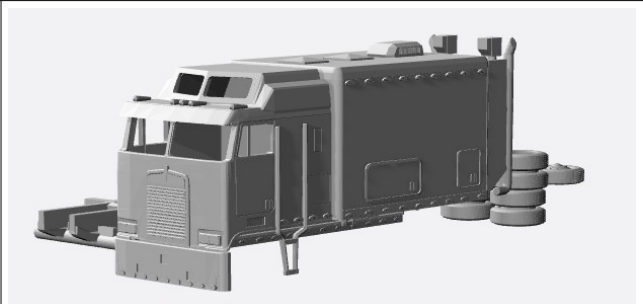
1955 Bullnose



Aerodyne



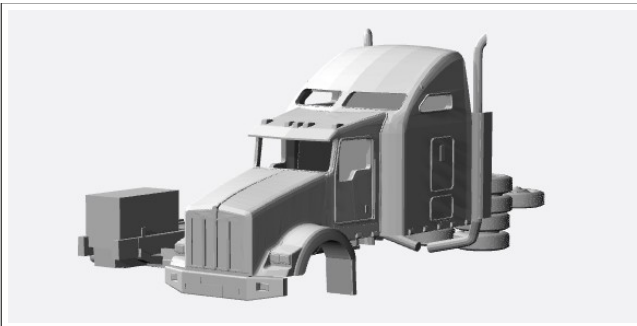
<https://www.shapeways.com/product/WDVAPRVWF/1-87-kenworth-aerodyne-cabover>



Cabover



T800



<https://www.shapeways.com/product/SUVAFYXZA/1-87-kenworth-t-800>

T660



<https://www.shapeways.com/product/MCQFY9JA4/1-87-kenworth-t660>

T700

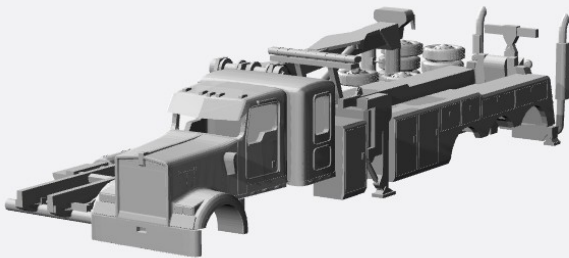


<https://www.shapeways.com/product/UHSBA32EE/1-87-kenworth-t700>

W900



<https://www.shapeways.com/product/ZHDG88F79/1-87-kenworth-w900>



<https://www.shapeways.com/product/HEA3DLLSS/1-87-wrecker>

